

## SERIES #70 and 80

This series features a solid front / blow-out back case which offers the operator maximum protection in the event of a bourdon tube failure. The safety case construction is widely specified in "Process Gauge" applications. The sealed case design allows the gauge to be dry or glycerin filled .

### STANDARD FEATURES:

**CASE:** Turret style, black, fiberglass reinforced thermoplastic. Solid front / blow-out back safety case. Threaded bezel ring.

**MOVEMENT:** Stainless steel rotary geared movement with dissimilar stainless steel bushings and stainless steel link and screws.

**POINTER:** Lightweight balanced construction with Micrometer adjustment feature.

**DIAL:** Heavy gauge aluminum.

**WINDOW\*:** Acrylic. (Safety Glass Optional.)

**FILL:** Series 70 - Dry  
Series 80 - Glycerin Filled

**CONNECTION:** 1/4" or 1/2" NPT male connection at bottom with restrictor, 316 Stainless Steel

**ACCURACY:** ASME/ANSI B40.1 Grade 2A (1/2%).

\* Additional options available as noted on next page.



**4 1/2" SIZES ONLY**

### BOURDON TUBE:

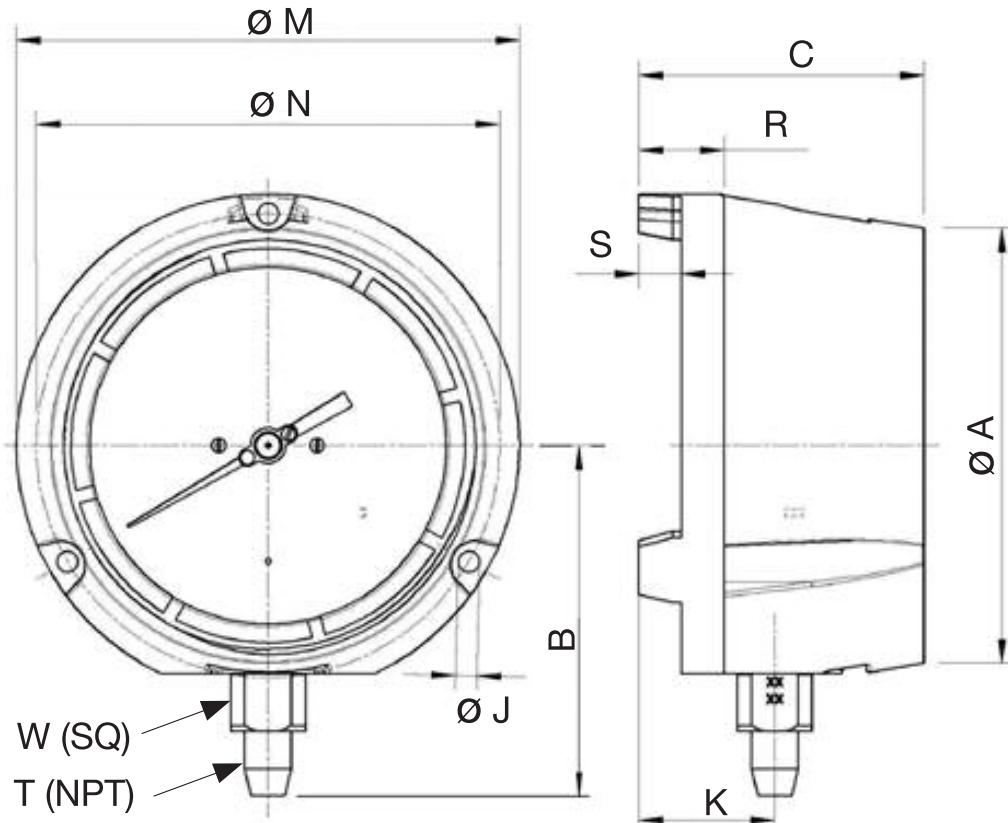
ORDER CODE	BOURDON TUBE:	RANGES TO:
3	Type 316 stainless steel tubing welded to type 316 stainless steel machined socket.	20,000 psi

### STANDARD RANGES:

STANDARD DIAL RANGE	MAJOR	MINOR	ORDER CODE	AVAILABLE SIZES:	STANDARD DIAL RANGE	MAJOR	MINOR	ORDER CODE	AVAILABLE SIZES:
				4 1/2"					4 1/2"
0-30" VAC.	5"	.20"	01	✓	0-200 psi	20 psi	2 psi	07	✓
30"-0-15 psi	5" & 3 psi	1" & .50 psi	21	✓	0-300 psi	50 psi	2 psi	08	✓
30"-0-30 psi	10" & 5 psi	1" & .50 psi	22	✓	0-400 psi	50 psi	5 psi	09	✓
30"-0-60 psi	10" & 10 psi	1" & 1 psi	23	✓	0-500 psi	50 psi	5 psi	10	✓
30"-0-100 psi	30" & 10 psi	2" & 1 psi	24	✓	0-600 psi	50 psi	5 psi	11	✓
30"-0-150 psi	30" & 30 psi	5" & 2 psi	25	✓	0-800 psi	100 psi	10 psi	12	✓
30"-0-200 psi	30" & 20 psi	5" & 2 psi	26	✓	0-1000 psi	100 psi	10 psi	13	✓
30"-0-300 psi	30" & 50 psi	5" & 2 psi	27	✓	0-1500 psi	200 psi	10 psi	14	✓
30"-0-400 psi	30" & 50 psi	10" & 5 psi	28	✓	0-2000 psi	200 psi	20 psi	15	✓
30"-0-600 psi	30" & 50 psi	10" & 5 psi	74	✓	0-3000 psi	500 psi	20 psi	16	✓
0-15 psi	1 psi	.10 psi	02	✓	0-5000 psi	500 psi	50 psi	17	✓
0-30 psi	5 psi	.20 psi	03	✓	0-10000 psi	1000 psi	100 psi	18	✓
0-60 psi	5 psi	.50 psi	04	✓	0-15000 psi	1500 psi	100 psi	19	✓
0-100 psi	10 psi	1 psi	05	✓	0-20000 psi	2000 psi	200 psi	20	✓
0-160 psi	20 psi	1 psi	06	✓					

\* Above PSI Ranges are available with dual scale metric KPA or BAR scales (see page 11). Note\* 8-1/2" gauges are PSI only.

## CASE DIMENSIONS



	A	B	C	J	K	M	N	R	S	T	W
mm	128	103 <sup>1</sup>	84	6.3	40	148	136.5	25	12.5		22
in	5	4.06 <sup>1</sup>	3.31	0.248	1.57	5.83	5.37	0.99	0.49	1/2"	0.87

1 - For Gauges with 1/4" NPT connection, dimension changes to 97mm (3.81").

## TO ORDER:

**Additional options** - To order please specify option.

Safety Glass Lens  
 NIST Certificate of Accuracy  
 Red Max Indicating Hand

Ordering Number - Construct by selecting one item from each of the columns below:											
1	Dial Size:	2	Series Number:	3	Case Style:	4	Range Code:	5	Connection Size and Style:	6	Bourdon Tube and Socket Code:
	4½" = 4		= 70 Dry		= 5SG Turret Style Black Phenolic Solid Front Blow-out Back		See standard range chart for code.		1 = 1/4" NPT Bottom 3 = 1/2" NPT Bottom		3 = Stainless Steel
	Example: 4805SG0533		= 80 Liquid Filled								
	4		80		5SG		05		3		3