

Series FA Fire Apparatus Gauge – 3.5"

Overview

- Original Span design Fire Apparatus gauge
- Commonly used for discharge line pressure
- Made in the USA

Benefits

- Full 3 1/2" dial for easy readability
- "ICD" for fully filled glycerin fill
- "Kem-X" freeze and clog proof
- Easy mounting system

Standard Features

- Case material: Zytel Nylon
- Bezel material: Chrome plated nylon
- Socket: 1/4" NPT male brass center back connection
- Kem-X: installed in 1/4" brass socket
- Bourdon Tube: Phosphor bronze
- Lens: Acrylic
- Fill Fluid: Non yellowing low temperature interlube – rated -40 to +150 F service
- ICD fully filled case with temperature compensating internal diaphragm
- Dial: Aluminum, two-sided baked enamel finish
- Accuracy: 1% full scale – ANSI Grade 1A
- Ranges: 0-400; 0-600; 30-0-400; 30-0-600; PSI; PSI/KPA
- Pointer: Black Aluminum
- Mounting: One piece mounting bracket with adhesive gasket for waterproof seal



Available Options

- LED lighted glycerin filled; white, red, blue, green
- Color coded bezels to match NFPA colors and push pull tags
- "DPM" Dry dashpot shock proof non-filled gauge
- "WOB" Reverse dial, white on black
- "DOT" Swivel elbow installed – DOT approved
- Metric and other ranges available upon request
- Custom dial faces available upon request
- Red tip pointer

Thuemling Instrument Group

1225 Pearl Street, Waukesha, WI 53186 • Phone: 262-547-1789 • Fax: 262-547-6493
Web: www.thuemling.com • Email: thuemling@earthlink.net

© 2011 Copyright Thuemling Instrument Group



Series FA Fire Apparatus Gauge – 3.5"

Ordering Guide

PREFIX:

FA-LFP = Fire apparatus style liquid filled panel mount bright chrome bezel, "ICD" internal compensating diaphragm and Kem-X freeze-proof feature.

DIAL SIZE:

2 = 2.5 Dial 3 = 3.5" Dial
 4 = 4.5" Dial 6 = 6.0 " Dial

RANGE: (Specify by Letter)

A = 0 - 300 PSI F = 30"- 0 - 600 PSI
 B = 0 - 400 PSI G = 0 - 400 PSI/KPA
 C = 0 - 600 PSI H = 0 - 600 PSI/KPA
 D = 30" - 0 - 300 PSI I = 30 - 0 - 400 PSI/KPA
 E = 30" - 0 - 400 PSI J = 30 - 0 - 600 PSI/KPA

FILL: (Please specify)

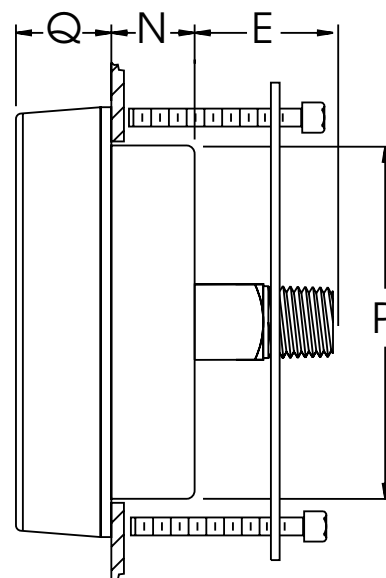
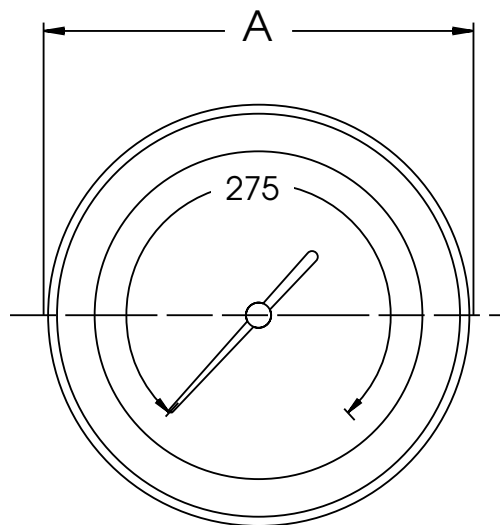
G = Interlube Liquid filled D = Dry - no fill

OPTIONS: (Please specify)

WOB = Reverse dial, white on black
 LED = LED back lighted gauge
 DPM = Shock proof movement in dry gauge
 DOT = Swivel Elbow installed

EXAMPLE:

FA-LFP-310-C-G-WOB



Dimensions

Dial	A	E	N	P	Q	Panel Cut-out
2.5"	3.23"	1.06"	0.62"	2.63"	0.71"	2.69"
3.5"	4.23"	1.06"	0.62"	3.73"	0.71"	3.78"
4.5"	5.30"	1.06"	0.62"	4.80"	0.71"	4.85"
6"	6.81"	1.40"	1.20"	6.30"	0.71"	6.35"

Thuemling Instrument Group

1225 Pearl Street, Waukesha, WI 53186 • Phone: 262-547-1789 • Fax: 262-547-6493
 Web: www.thuemling.com • Email: thuemling@earthlink.net

