

## Series BC Fire Apparatus Gauge – 63mm

### Overview

- Rugged one piece cast brass case
- Commonly used for discharge line pressure
- Made in the USA

### Benefits

- One-piece cast brass case has integral socket and tube for a NO leak gauge

### Standard Features

- Case material: Brass
- Bezel material: Bright polished stainless steel
- Socket: 1/4" NPT male brass lower back connection
- Bourdon Tube: Phosphor bronze
- Lens: Acrylic with temperature compensating membrane
- Fill Fluid: Non yellowing low temperature glycerin – rated -40 to +150 F service
- Dial: Aluminum
- Accuracy: 1.5% full scale
- Ranges: 0-400; 0-600; 30-0-400; 30-0-600; PSI; PSI/KPA; KPA
- Pointer: Black Aluminum
- Mounting: Panel mounting with studded case and one piece bracket

### Available Options

- "WOB" reverse dial, white on black
- "DOT" swivel elbow installed – DOT approved
- Other ranges available upon request



### BC Series – Brass Case Fire Apparatus Gauges

All pressure gauges for the water pumping system are manufactured by Thuemling Instruments (no exceptions) and are one piece brass construction. They are filled with pulse and vibration dampening Interlube to lubricate the internal mechanisms, to prevent lens condensation and to ensure proper operation to minus 40 degrees F. The cast brass cases are temperature compensated with a small bubble and have a rigid lens with distortion free viewing area.

Individual 63 mm line gauges for each 1- 1/2" or larger discharges are supplied and mounted adjacent to the discharge valve control handle. A bright metal trim ring is supplied with each gauge.

Two 100 mm master pump gauges are supplied and mounted in close proximity to the throttle, primer, and engine instrumentation. The intake gauge is to the left of the discharge gauge. Bright metal trim rings are supplied with each gauge.

#### Thuemling Instrument Group

1225 Pearl Street, Waukesha, WI 53186 • Phone: 262-547-1789 • Fax: 262-547-6493  
Web: [www.thuemling.com](http://www.thuemling.com) • Email: [thuemling@earthlink.net](mailto:thuemling@earthlink.net)

© 2011 Copyright Thuemling Instrument Group



## Series BC Fire Apparatus Gauge – 100mm

### Ordering Guide

**PREFIX:**

BC-LFP = Fire apparatus style liquid filled panel mount in cast brass style case with bright chrome ring and phosphor bronze bourdon tube.

**DIAL SIZE:**

63 = 63mm (2.5) Dial                      100 = 100mm (4") Dial

**RANGE:** (Specify by Letter)

B = 0 - 400 PSI                              E = 30" - 0 - 400 PSI  
 C = 0 - 600 PSI                              F = 30" - 0 - 600 PSI

**OPTIONS:** (Please sepcify)

WOB = Reverse Dial, White on Black  
 DOT = Swivel Elbow Installed

**EXAMPLE:**

BC-LFP-63-F-WOB-KEM-X

### Warranty

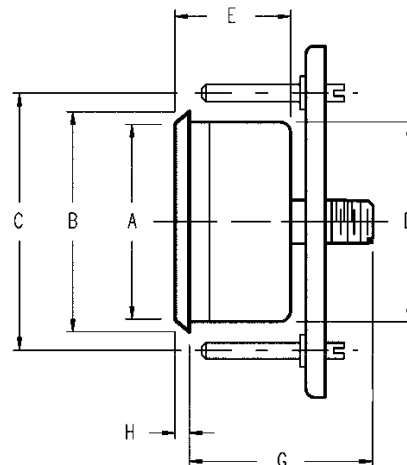
**LIFETIME:**

- LEAK Proof – To maintain the integrity of the hermetically sealed case, therefore preventing leakage.
- NON-YELLOWING – To retain optical clarity of pressure gauge liquid fill, therefore preventing discoloration.

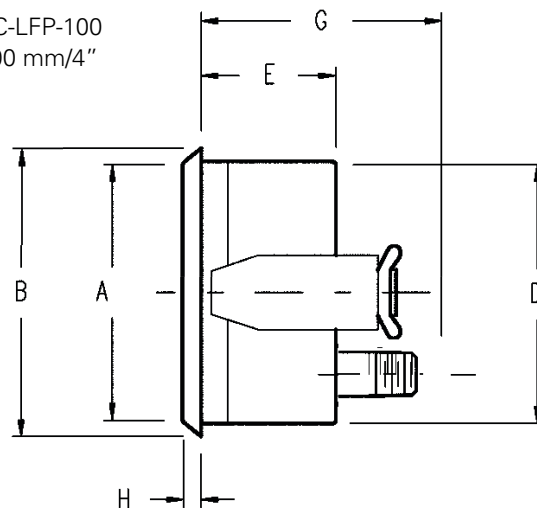
**3 YEARS:**

- To be free from defects in material and workmanship.
- To remain within cataloged accuracy specifications.

BC-LFP-63  
63 mm/2.5"



BC-LFP-100  
100 mm/4"



**Dimensions**

Type/Size	Weight	Key	A	B	C	D	E	G	H	J
BC-LFP-63 63 mm/2.5"	0.66 lbs.	mm	63	68	71	63	38	61	3.1	50
		in	2.5	2.68	2.80	2.48	1.50	2.40	.12	1.97
BC-LFP-100 100 mm/4"	2.43 lbs.	mm	100	107	--	101	47	74	3.5	60
		in	4.0	4.21	--	3.98	1.85	2.91	.14	2.36

**Thuemling Instrument Group**

1225 Pearl Street, Waukesha, WI 53186 • Phone: 262-547-1789 • Fax: 262-547-6493  
 Web: www.thuemling.com • Email: thuemling@earthlink.net

